

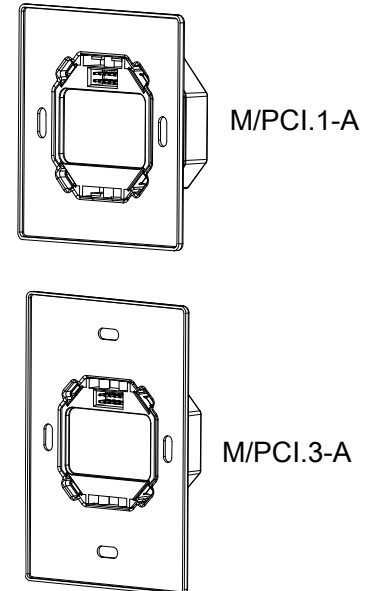
Parameter

Electrical Parameters	
Working power	21-30V DC
Bus Interface	KNX/EIB
Signal Interface	Panels or sensors
KNX Cable	0.6-0.8mm Diameter Single core
Environmental Conditions	
Working temperature	-5°C~45°C
Working relative Humidity	<90%
Storage Temperature	-20°C~+60°C
Storage relative Humidity	<93%
Approved	
CE, RoHS	
KNX	
Product information	
Dimensions	M/PCI.1-A: H80 x W80 x D 28.5 (mm)
	M/PCI.3-A: H80 x W110.5x D 28.5(mm)
Net weight	M/PCI.1-A: 96g
	M/PCI.3-A: 121g
Housing material	Inflaming retarding Nylon, metal
Installation	GI Wall-BOX
Protection rating	IP20

Installation Steps

- Mount the HDL-M/PCI.1-A/HDL-M/PCI.3-A in the wall-box
- Make sure the Bus cable type is correct and has no circuit short
- Connect bus cables. Make sure the color of wire same as definition
- Put other device into power coupler interface

Overview

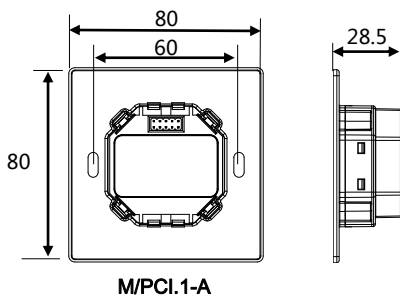


HDL-M/PCI.1-A, M/PCI.3-A Power Coupler Interface have two interfaces. One side connect to KNX/EIB, Another side connect to such as panels, sensor and so on. It can coupling the telegram data from KNX/EIB to panels or sensors.

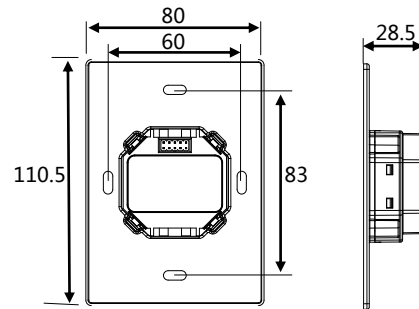
Important Notes

- **Bus cable** - KNX/EIB standard cable
- It must work with other panel switch or sensor.

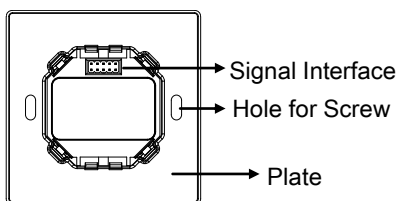
Layout and Wirings



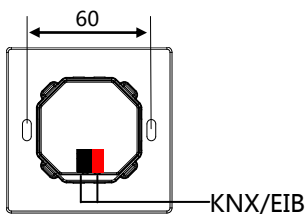
M/PCI.1-A



M/PCI.3-A



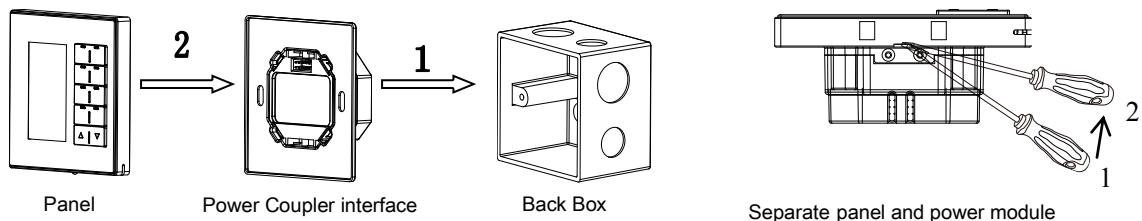
Signal Interface : To be connected with the panel switch or sensor.
Hole for Screw : Fix the Docking base into the back box.



M/PCI.1-A work with EU panels ,such as M/DLP04.1-A2-48, M/P01.2-A2-48, M/P02.2-A2-48, M/P03.2-48, M/P04.2-A2-48, and so on.

M/PCI.3-A work with AU panels, such as M/DLP04.1-A2-46, M/P01.2-A2-46, M/P02.2-A2-46, M/P03.2-A2-46, M/P04.2-A2-46, and so on.

Installation Take HDL-M/PCI.1-A as an example



Installation: holding the edge of panel, Insert the power coupler interface vertical. Do not push the panel too hard.

Split : use a screwdriver with 2.5mm insert split gap, pry up, as 1 to 2 position , wiring hole will open. Then separate the panel and Power coupler interface.

Safety Precautions

- Do not make wrong connection on KNX/EIB interface, it will damage the Bus interface of this interface module.
- Do not get AC voltage into KNX/EIB wire , it will damage all of devices in system.
- Avoid the rain or water into module, it will damage this device

Package Contents

- Device*1/Datasheet*1/Screw*2

